



Ironing machine / Bügelmaschine VAR  
BM200030

Tel.: +49 40 600 094 680 E-Mail.: [info@wesco-navy.de](mailto:info@wesco-navy.de)

## Ironing machine BM200030 VAR

-----  
Total capacity.....15,5 KW  
=====

### **Marine Execution**

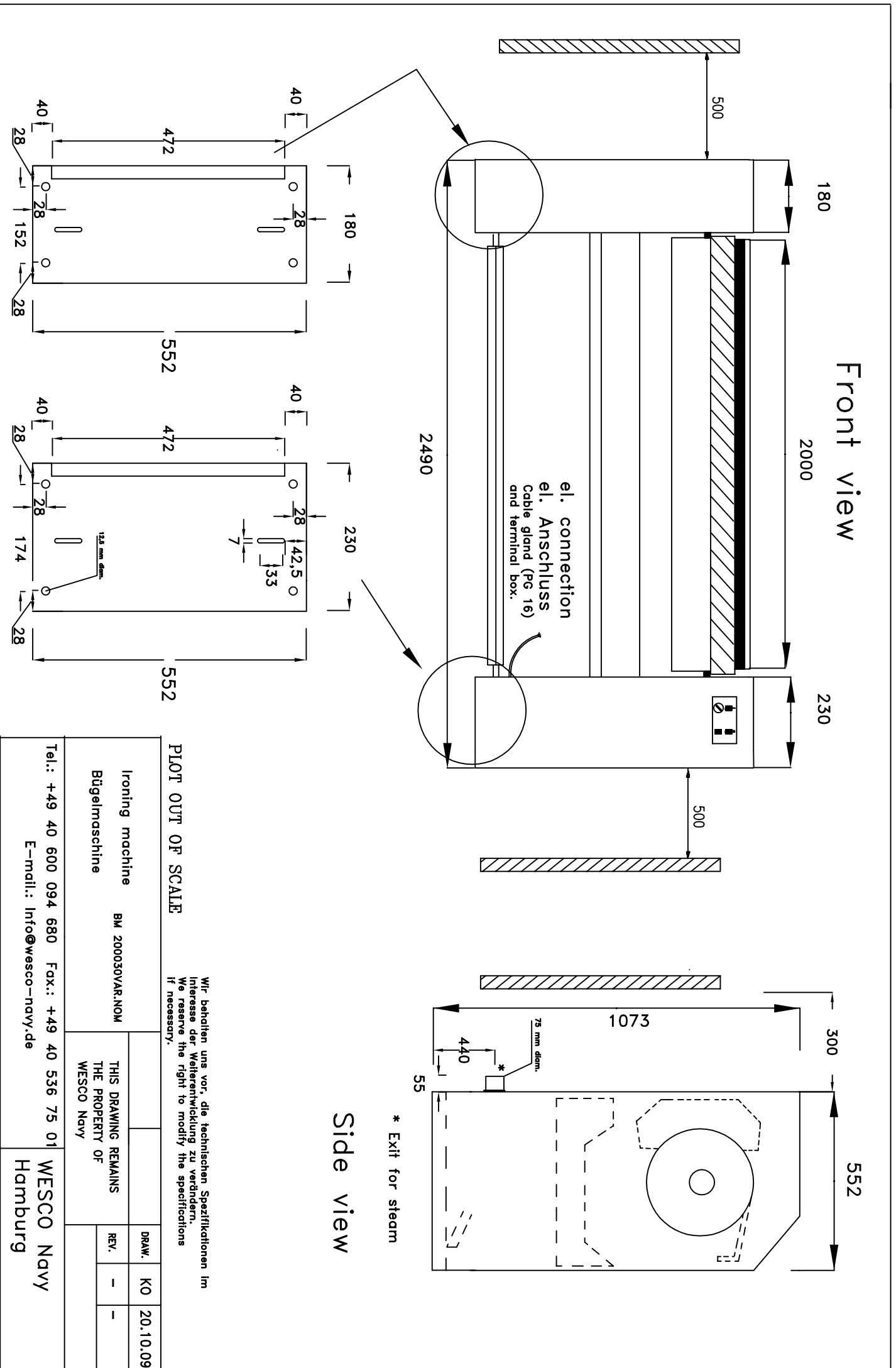
Roller length : 2000 mm

Roller diameter : 300 mm

Capacity : 60 Kg/h

Heating : 15 KW (elektrisch)

- Roller covering : steel wool taping  
+ Nomex Molton  
250g/m2
- Stepless adjustable speed.
- Exhaust ventilation
- High and even ironing pressure.
- Outside lining is white.
- Linen is feeded and coming out on the operator's side.
- Ironer can be installed against wall.
- Motor-, heating and finger protection, thermostat and start-stop-switch are built in.
- Emergency stop.



PLOT OUT OF SCALE

Wir behalten uns vor, die technischen Spezifikationen im Interesse der Weiterentwicklung zu verändern.  
We reserve the right to modify the specifications if necessary.

Ironing machine  
Bügelmaschine

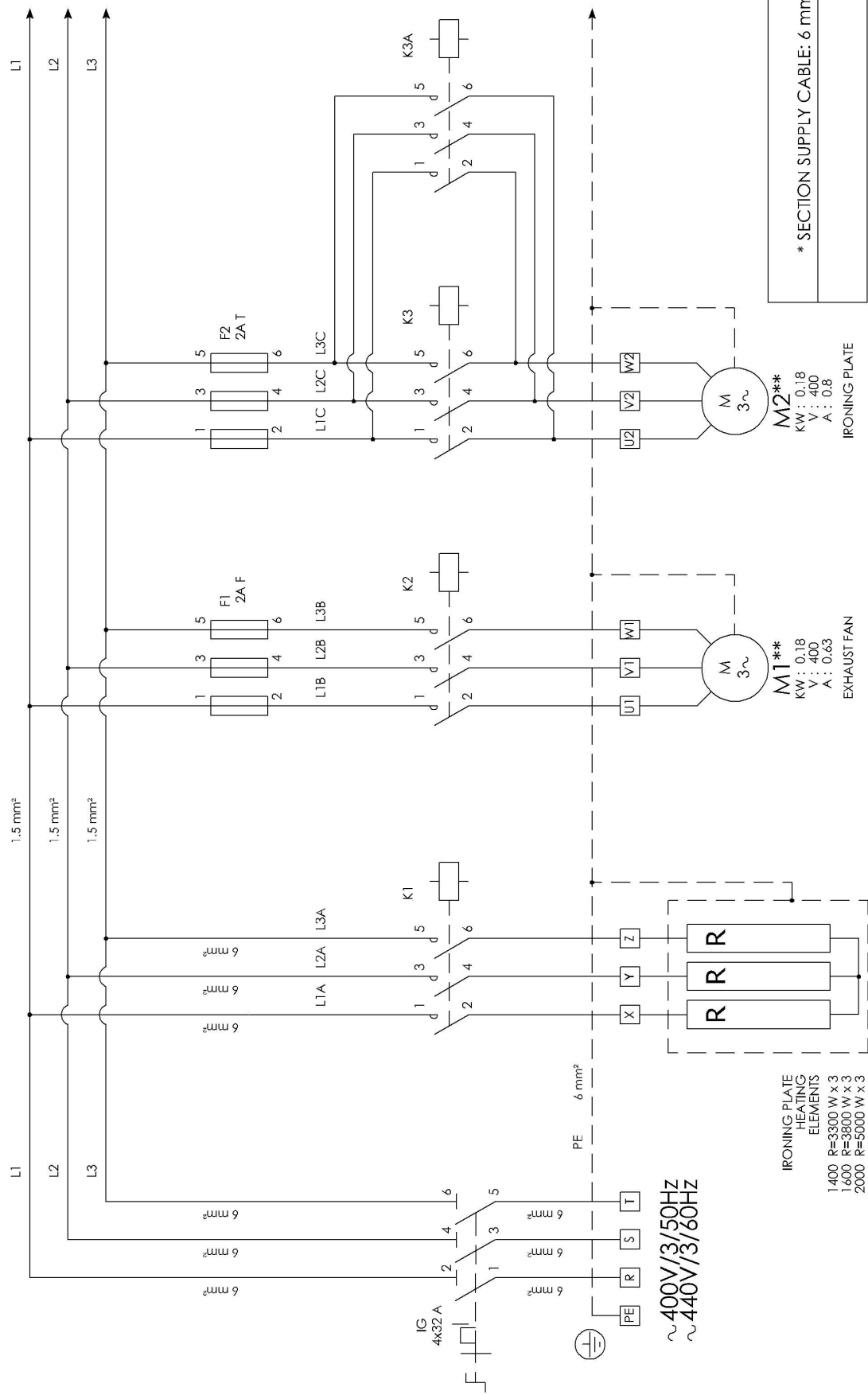
BM 200030VAR.NOM

THIS DRAWING REMAINS  
THE PROPERTY OF  
WESCO Navy

DRAW.	KO	20.10.09
REV.	-	-

Tel.: +49 40 600 094 680 Fax.: +49 40 536 75 01  
E-mail.: info@wesco-navy.de

WESCO Navy  
Hamburg



ACCORDING TO THE LAW, WE RESERVE THE RIGHTS TO THIS DRAWING WITH  
 PROHIBITION OF REPRODUCING OR PASSING IT ON TO OTHER PARTIES WITHOUT  
 OUR WRITTEN PERMISSION.