



Deepfreezer / Tiefkühlschrank  
CFA700

Tel.: +49 40 600 094 680 E-Mail.: [info@wesco-navy.de](mailto:info@wesco-navy.de)

## Deepfreezer CFA700

Total capacity.....0,4 KW

=====

### **Marine Execution**

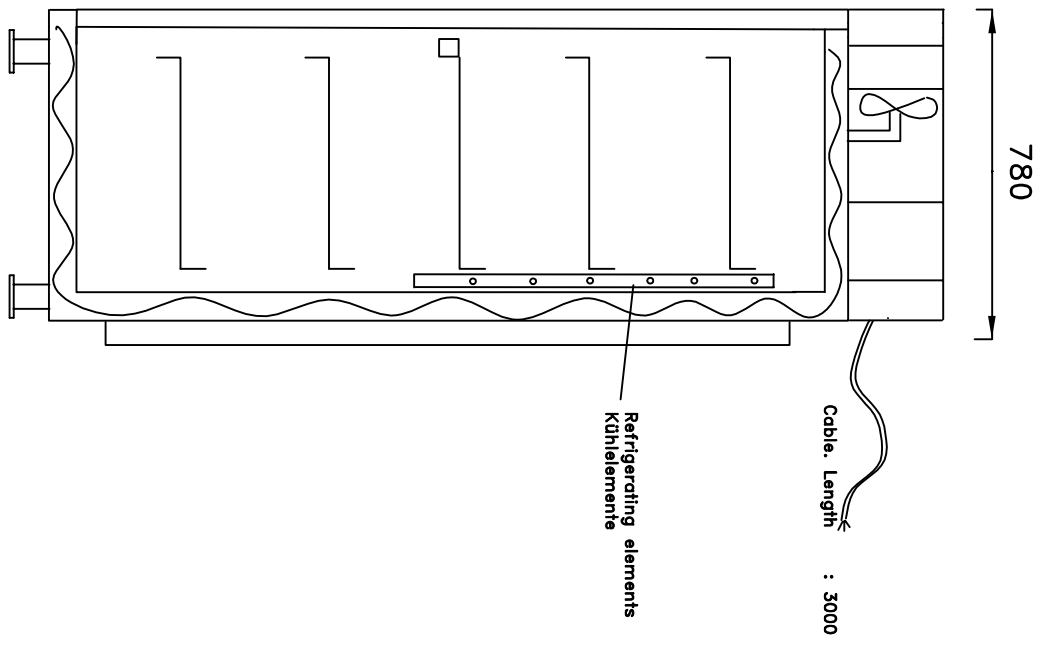
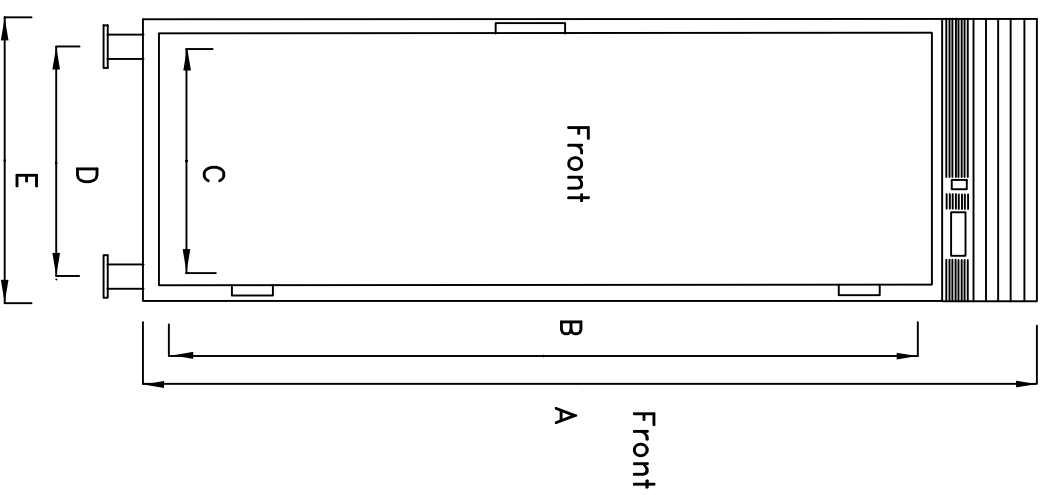
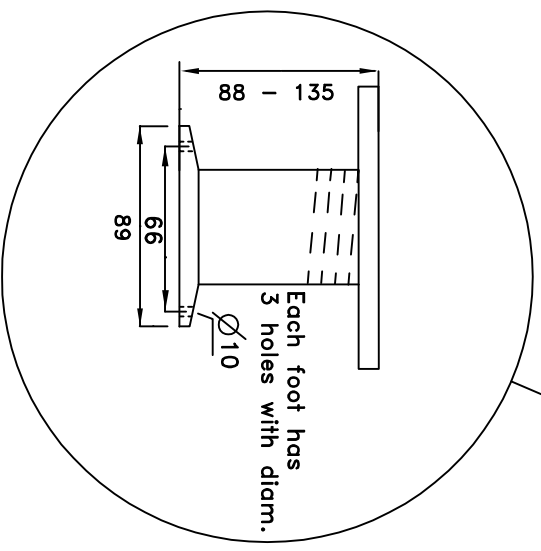
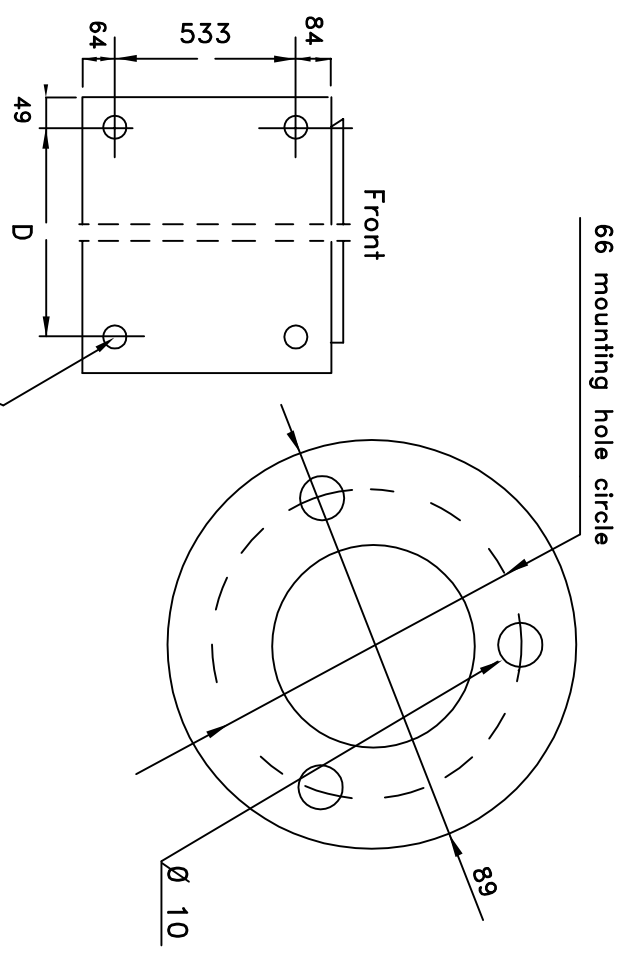
Refrigerant : R 404a

Temperature : -10 <-> -25°C

Capacity : 0,4 kW

Door hinged : Please specify by ordering!!

- Automatic defrosting.
- Free standing on feet for mounting on deck.
- Front, door, top and sides are of stainless steel.
- Chromplated shelves.
- The door has heavy marine hinges and lockable lock.
- Constructed for rough use on ships.
- Complete and ready for use.



	A	B	C	D	E
CFA 400	1800	1390	490	511	610
CFA 500	1960	1550	490	511	610
CFA 550	1800	1390	690	711	810
CFA 700	1960	1550	690	711	810

**PLOT OUT OF SCALE**

Wir behalten uns vor, die technischen Spezifikationen im Interesse der Weiterentwicklung zu verändern.  
We reserve the right to modify the specifications if necessary.

ITEM:	Refrigerator Serie CFA--	23.11.05	AW
	Kühlschrank 400 - 700	THIS DRAWING REMAINS THE PROPERTY OF WESCO Navy	
Tel.: +49 40 600 094 680 Fax.: +49 40 536 75 01			
E-mail.: <a href="mailto:Info@wesco-navy.de">Info@wesco-navy.de</a>			

Please keep a distance of 300 mm to the roof for air circulation..

## Installation instructions

### Location

- The equipment must be installed in a well-ventilated room (fig. 1), as far as possible from heat sources and so that good air circulation is achieved, in particular around the part where the compressor unit is located. The maximum room temperature may not exceed +32 °C and the condensation temperature may not exceed +45 °C.
- Adjust the height and the horizontal and vertical inclination of the equipment by rotating the adjustable legs and check that the door can be opened and closed without impediment.
- The equipment must be **anchored** in a suitable manner **to prevent it from tipping over**.
- Remove the protective plastic from the external surfaces on models made of stainless sheeting. Pull the plastic off slowly. If, after the plastic has been removed, there is any glue residue, it can be removed with a suitable solvent.

### Electrical connection

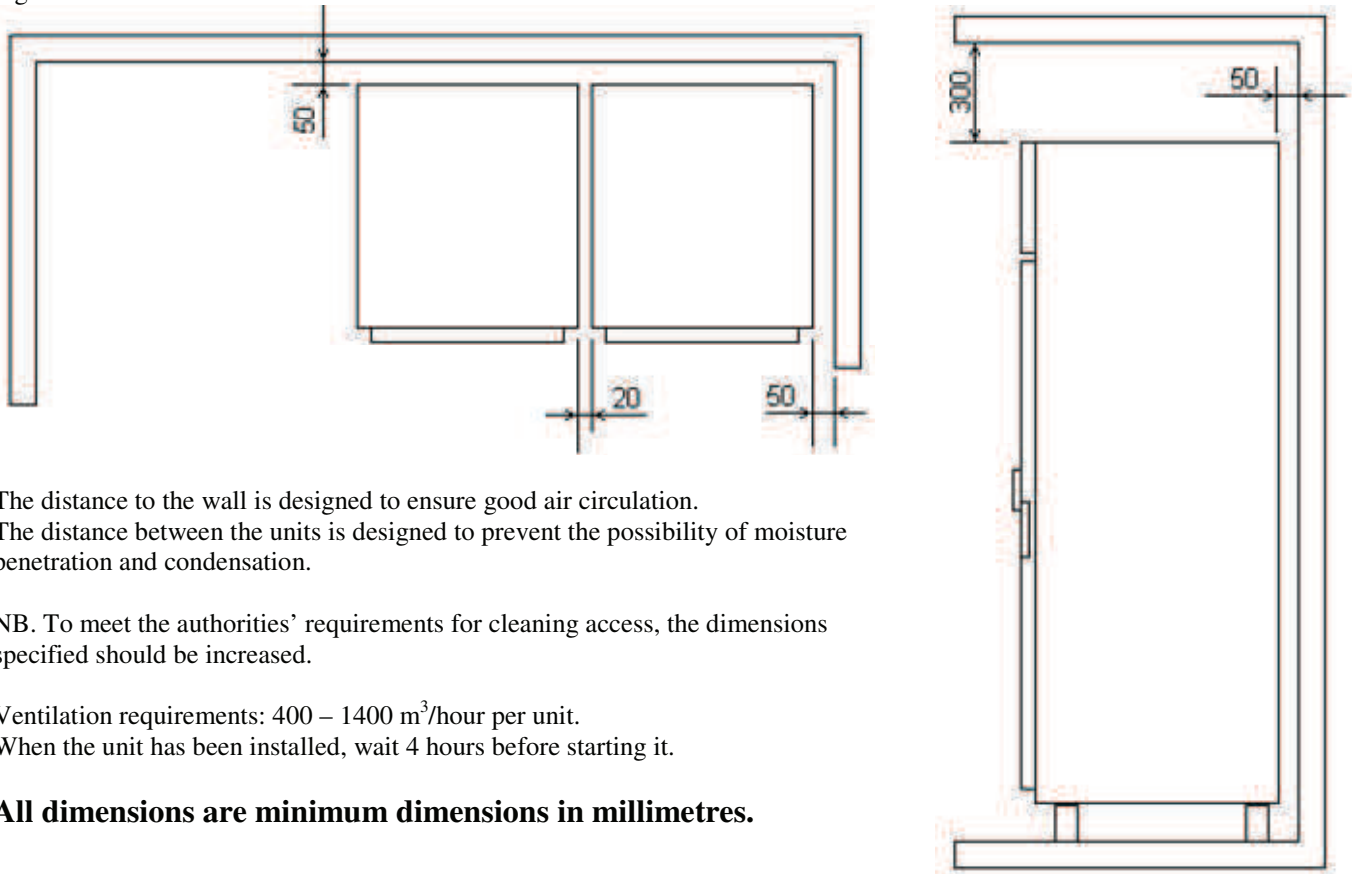
#### **Electrical connections must be made in accordance with all applicable local standards and regulations in force at the time.**

- The electrical connection must be made in accordance with all applicable standards and regulations.
  - The equipment works from single-phase 220-240 V AC 50 Hz
  - The equipment is connected simply by inserting the plug in the mains socket after checking that the mains socket can be loaded with the relevant current and has the correct protective earthing.
  - All standard version units are protected with a 10 A delay action fuse.
  - A 3 m power cable is supplied. This emerges from the unit or solenoid valve at a height above the floor of roughly 2000 mm.
- The electrical safety of the equipment can only be guaranteed when it has been correctly connected to an installation with protective earthing in accordance with applicable safety regulations.
- If you have any doubt about the efficiency of the protective earthing, the installation must be checked by a qualified engineer.

**The manufacturer accepts no liability for the consequences of the above safety measures not being taken.**

### Installation Instructions

Fig. 1



The distance to the wall is designed to ensure good air circulation.  
The distance between the units is designed to prevent the possibility of moisture penetration and condensation.

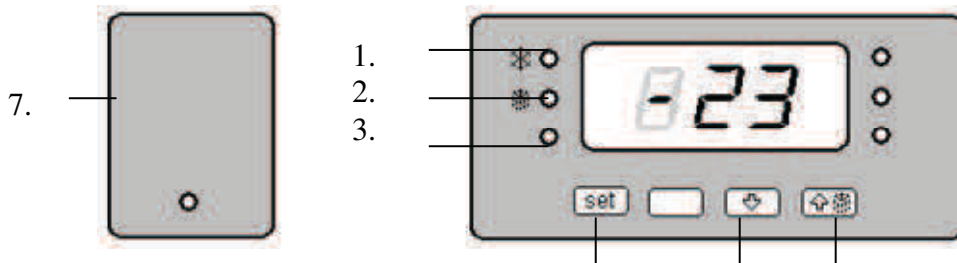
NB. To meet the authorities' requirements for cleaning access, the dimensions specified should be increased.

Ventilation requirements: 400 – 1400 m<sup>3</sup>/hour per unit.  
When the unit has been installed, wait 4 hours before starting it.

**All dimensions are minimum dimensions in millimetres.**

### Control Panel

Fig. 2



- |                       |                         |    |    |    |
|-----------------------|-------------------------|----|----|----|
| 1. Compressor working | 5. Reduce temperature   | 4. | 5. | 6. |
| 2. Defrosting         | 6. Increase temperature |    |    |    |
| 3. Fan                | 7. On/off switch        |    |    |    |
| 4. SET button         |                         |    |    |    |

### Cleaning

Fig. 3

