



Galley range / Schiffsherd
GRB880

Tel.: +49 40 600 094 680 E-Mail.: info@wesco-navy.de

Galley range IPGRB880

4-Hot plates. Each 2,6 KW.....10,4 KW

1-Baking oven.430x380x320mm.....3,5 KW

Total capacity:.....13,9 KW
=====

Marine Execution

CONSTRUCTION.

Freestanding on 4 stainless steel feet, adjustable in the height.

Made of stainless steel:

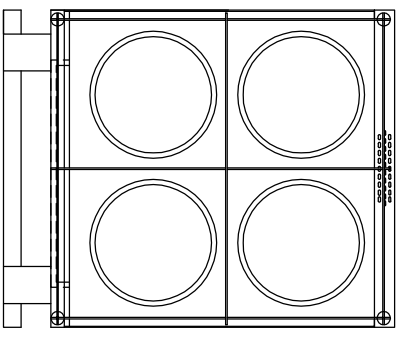
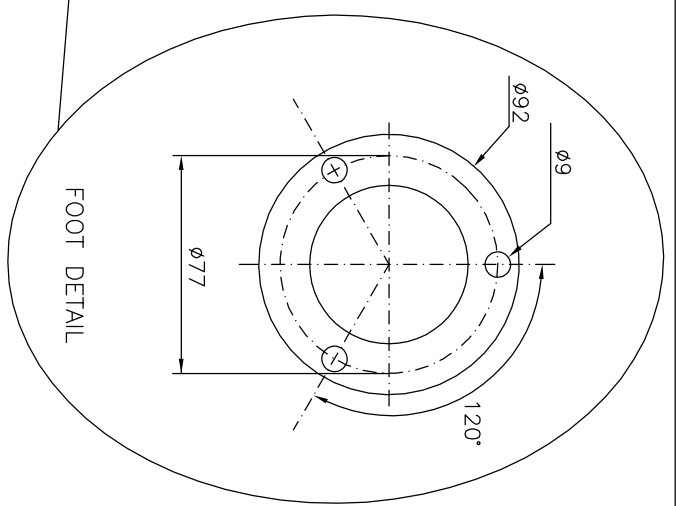
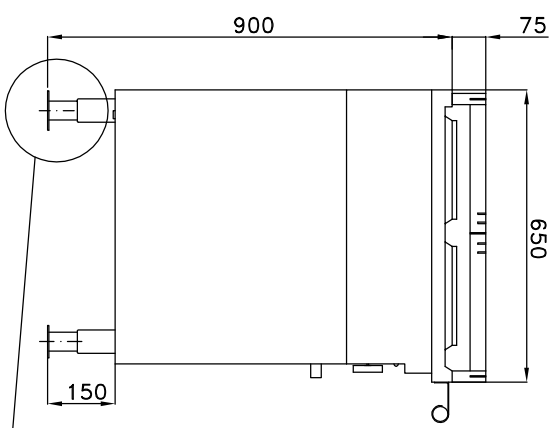
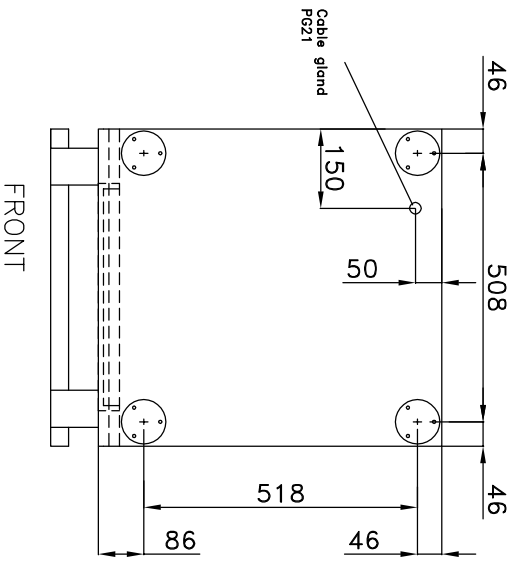
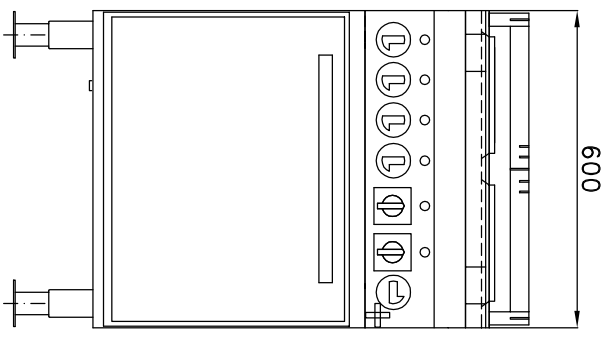
- Outside lining.
- Oven chamber.
- Hand rails.
- Removable storm rails.

FACTORY MOUNTED.

- Delta-Star switches, Thermostats, Pilot lamps and Door Handle.
- Hand rail on the front side.
Hand rails on the sides and back on request.

INCLUDED IN OUR DELIVERY.

- 1x Roasting grid.
- 1x Cable 1,5m without plug.
- Capacity sufficient for 10-12 person.



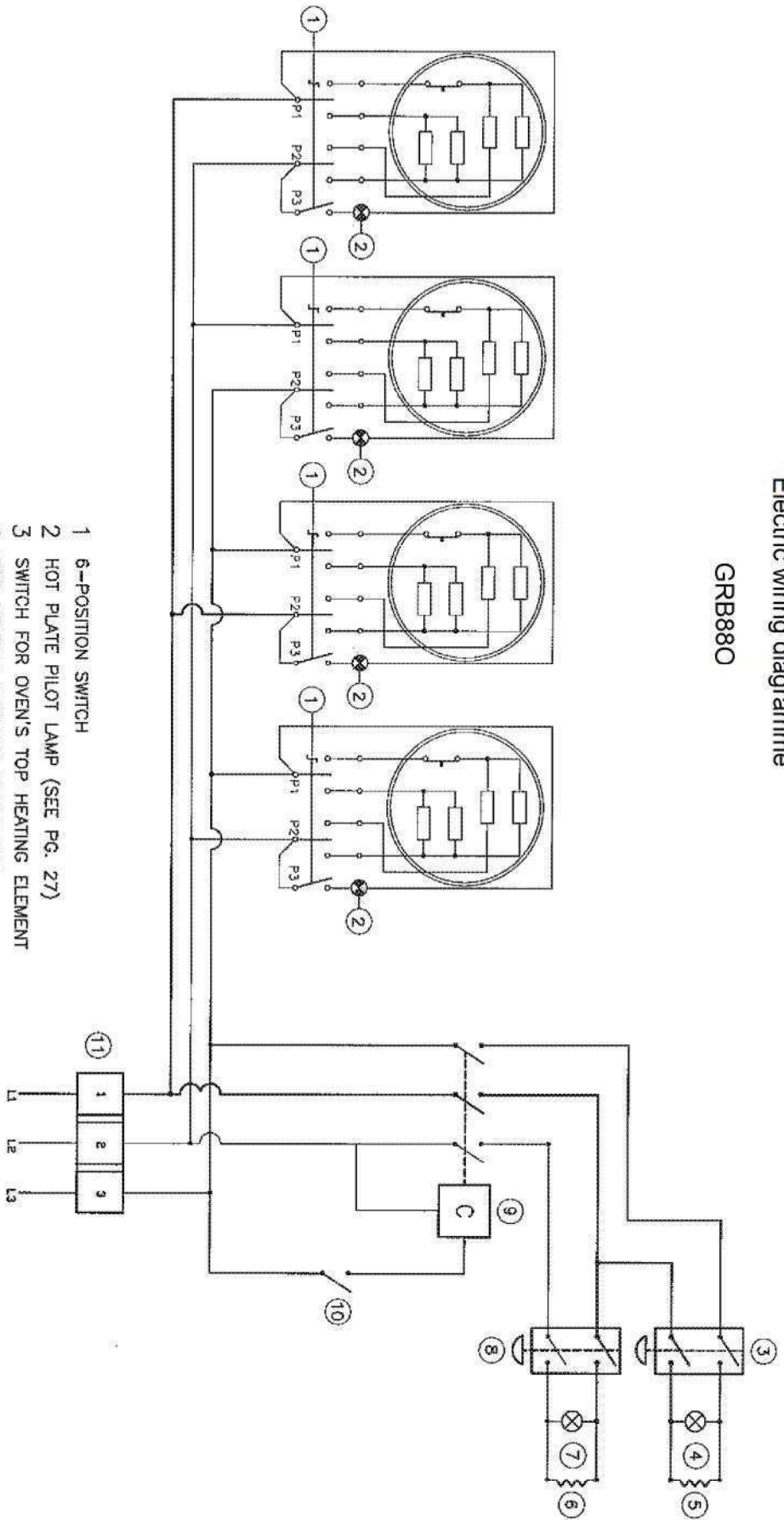
Wir behalten uns vor, die technischen Spezifikationen im Interesse der Weiterentwicklung zu verändern.
We reserve the right to modify the specifications if necessary.

PLOT OUT OF SCALE

ITEM:		DRAW.	
Galley range		AW	
IPGRB880		17.02.12	
Schiffsherd		REV.	
THIS DRAWING REMAINS THE PROPERTY OF WESCO Navy		-	
Tel.: +49 40 600 094 680 Fax.: +49 40 536 75 01		-	
E-mail.: Info@wesco-navy.de		-	
WESCO Navy Hamburg			

Electric wiring diagramme

GRB880



- 1 6-POSITION SWITCH
- 2 HOT PLATE PILOT LAMP (SEE PG. 27)
- 3 SWITCH FOR OVEN'S TOP HEATING ELEMENT
- 4 TOP HEATING ELEMENT PILOT LAMP
- 5 OVEN'S TOP HEATING ELEMENT
- 6 OVEN'S BASE HEATING ELEMENT
- 7 BASE HEATING ELEMENT PILOT LAMP
- 8 SWITCH FOR OVEN'S BASE HEATING ELEMENT
- 9 CONTACTOR (SEE PG. 39)
- 10 OVEN WORK THERMOSTAT
- 11 TERMINAL BLOCK