



Galley range / Schiffsherd
IPGRB44G0

Tel.: +49 40 600 094 680 E-Mail.: info@wesco-navy.de

Galley range IPGRB44G0

4- hot plates 300 x 300 mm each.....2,4 KW

1-griddle plate 300 x 610 mm each...4,8 KW

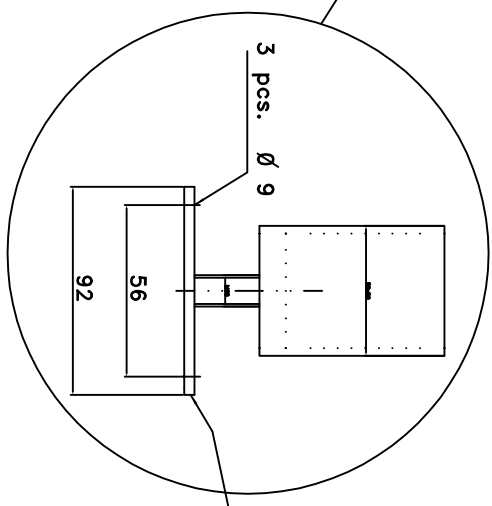
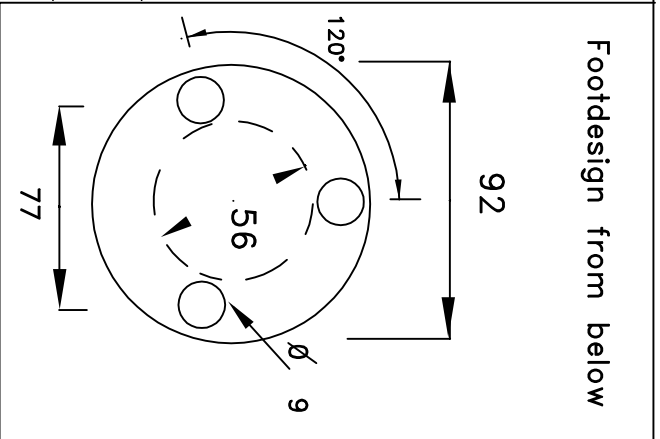
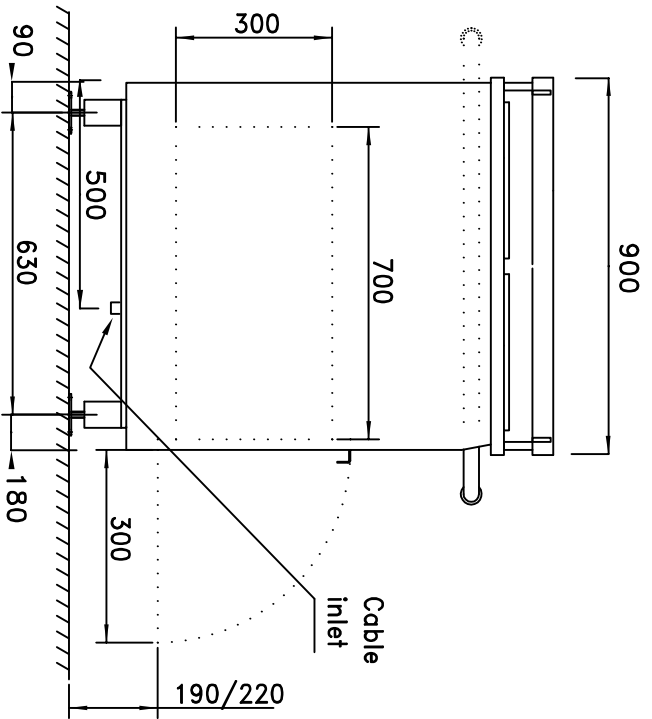
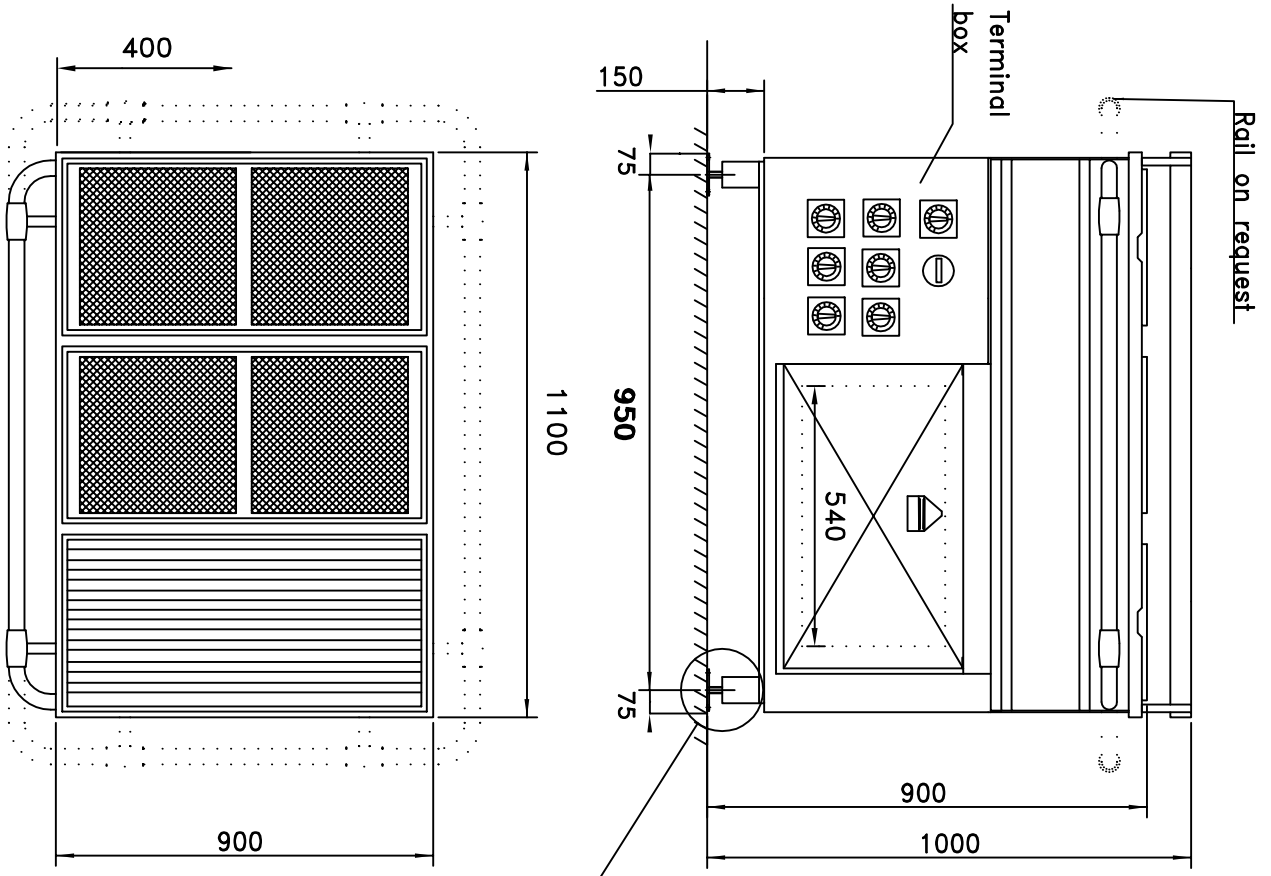
1- Baking oven.. 540x700x300mm....6,0 KW

Total capacity.....20,4 KW

=====

Marine Execution

- Baking oven GN2/1.
- Outside lining, hand rails, removable storm rails and feet of stainless steel AISI 304.
- Free standing on 4 feet, height adjustable.
- Cooking plates of special stainless steel.
- Delta-star-switches and thermostats mounted
- 1 Roasting grid.
- **Hand rail on the front.**



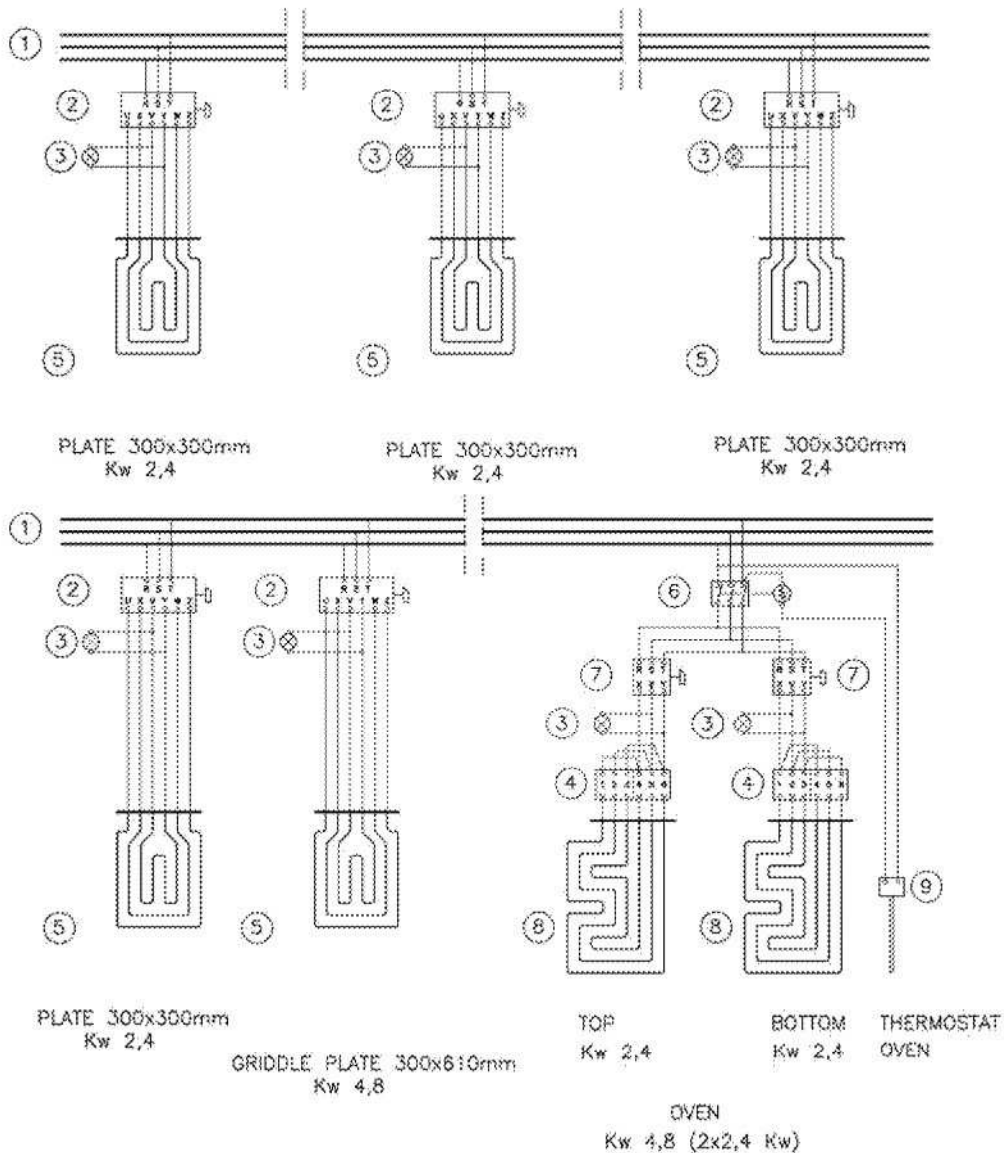
Adjustable legs (+30 mm)
 All dimensions are in mm
 Effect: See electrical diagram

PLOT OUT OF SCALE

Wir behalten uns vor, die technischen Spezifikationen im Interesse der Weiterentwicklung zu verändern.
 We reserve the right to modify the specifications if necessary.

ITEM:	Galley range		IPGRB44G0	
	Schiffsherd			
Tel.:	+49 40 600 094 680	Fax.:	+49 40 536 75 01	
E-mail.:	Info@wesco-navy.de			
THIS DRAWING REMAINS THE PROPERTY OF WESCO Navy			DRAW.	AW
			REV.	-
				17.08.05
WESCO Navy			Hamburg	

ELECTRIC WIRING DIAGRAM



1 ELECTRIC LINE

2 DELTA STAR SWITCH 901172010

3 PILOT LAMP 901172030 V115-V230
901172040 V400-V415-V440
901172060 V480

4 JUNCTION BLOCK 955050150

5 PLATE HEATING ELEMENT
 901120210 V115 300x300 mm
 901120215 V230 300x300 mm
 901120220 V400 300x300 mm
 901120222 V415 300x300 mm
 901120225 V440 300x300 mm
 901120230 V480 300x300 mm
 901120350 V115 300x610 mm
 901120355 V230 300x610 mm
 901120360 V400 300x610 mm
 901120362 V415 300x610 mm
 901120365 V440 300x610 mm
 901120370 V480 300x610 mm

6 CONTACTOR 901172430 V115-V230
901172450 V400-V415-V440-V480

7 SWITCH 901172020

8 OVEN HEATING ELEMENT 901177400 V115
901177420 V230
901177430 V400
901177460 V415
901177490 V440
901177510 V480

9 THERMOSTAT 933100001

A RATED VOLTAGE VOLT
 115/3/60
 230/3/50-60
 400/3/50
 415/3/50-60
 440/3/60
 480/3/60