



Picture is showing a galley range with 5 plates only

Galley range / Schiffsherd
IPGRB444G0

Tel.: +49 40 600 094 680 E-Mail.: info@wesco-navy.de

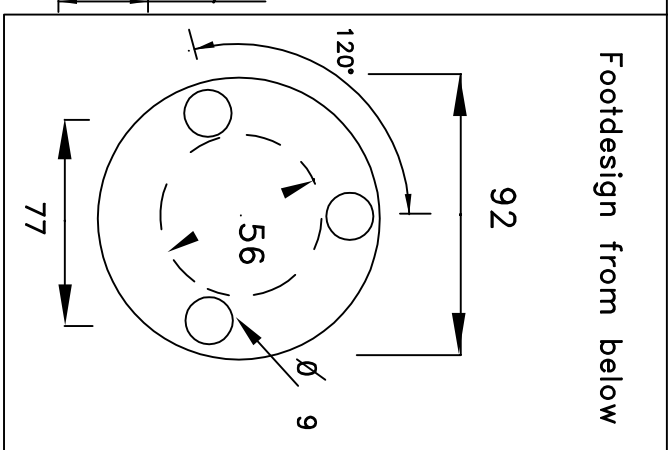
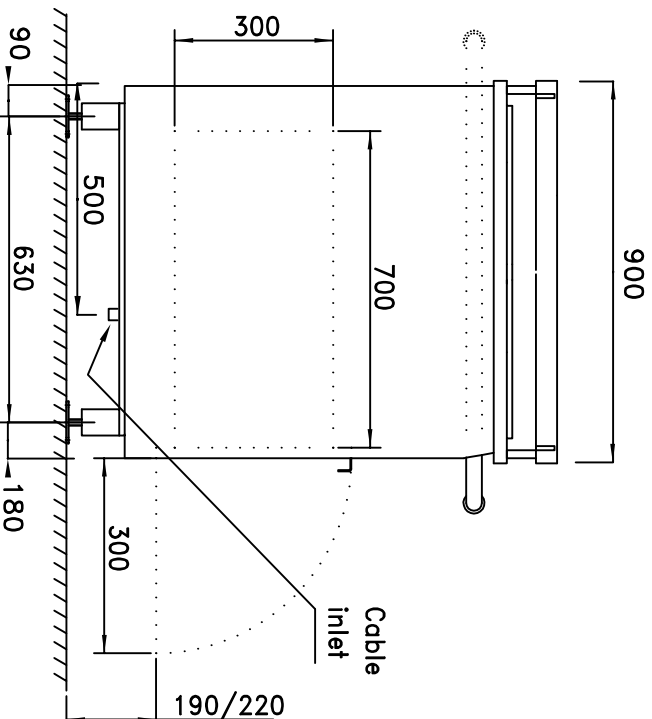
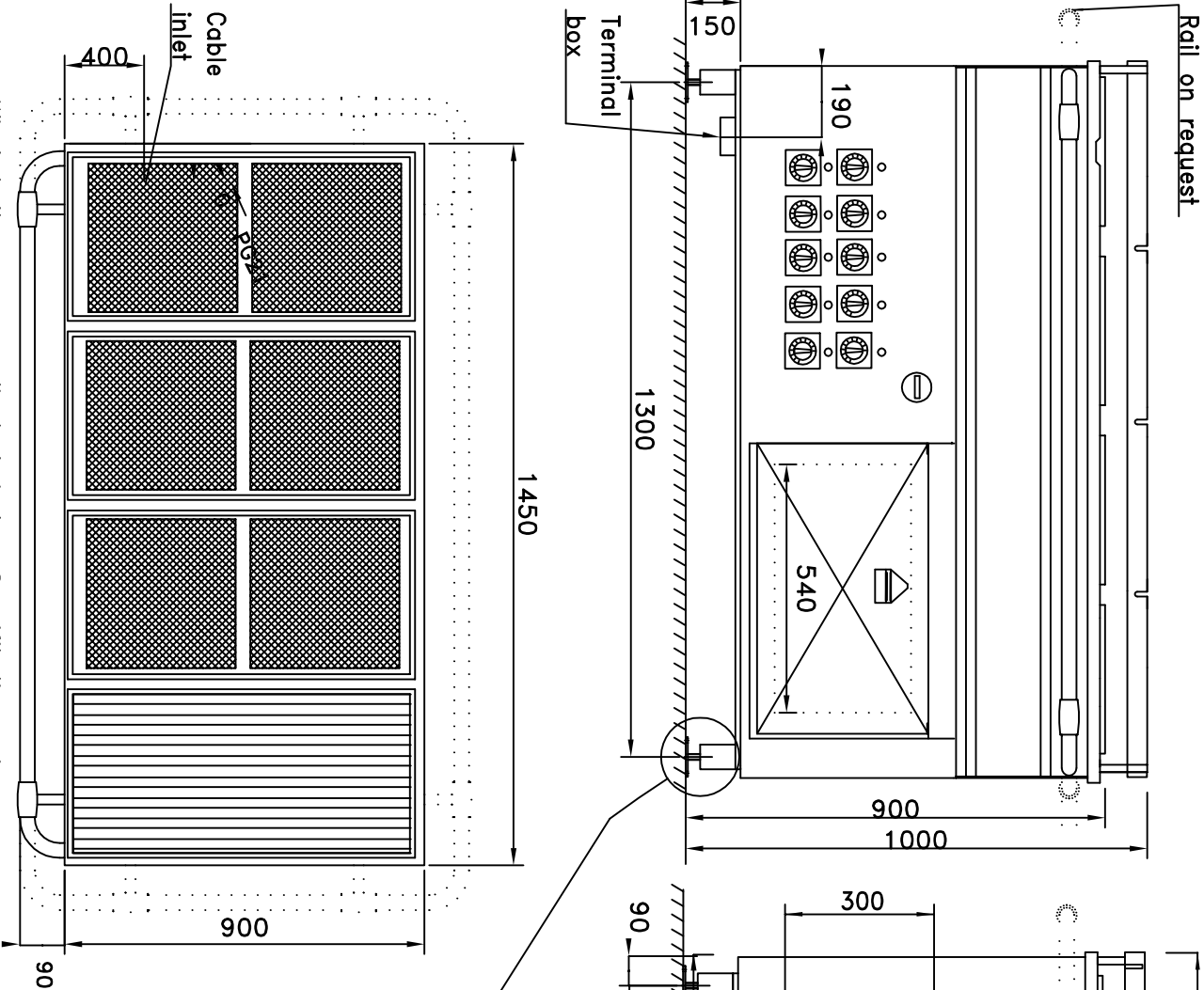
Galley range IPGRB444G0

Hot plates : 6 x (2,4 kW - 300x300mm)
Grooved griddle plate : 1 x (4,8 KW - 300x610mm)
Baking oven : 1 x (4,8 kW - 540x700x300mm)

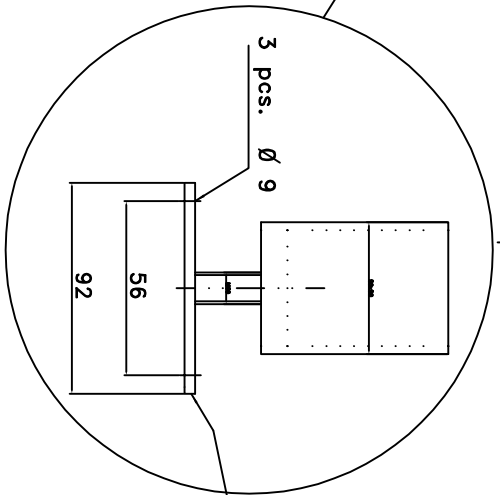
Total capacity.....24,0 KW
=====

Marine Execution

- Removable storm rails.
- Outside lining, hand rails and feet of stainless steel.
- Free standing on 4 feet, height adjustable.
- Griddle plate with panels.
- Step-switches and thermostats mounted.
- 1 Roasting grid.
- Hand rail on the front.



Wir behalten uns vor, die technischen Spezifikationen im Interesse der Weiterentwicklung zu verändern.
We reserve the right to modify the specifications if necessary.

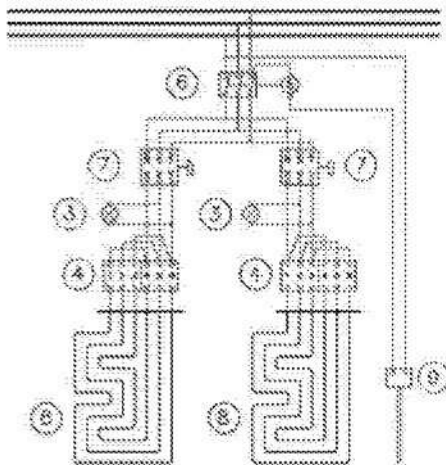
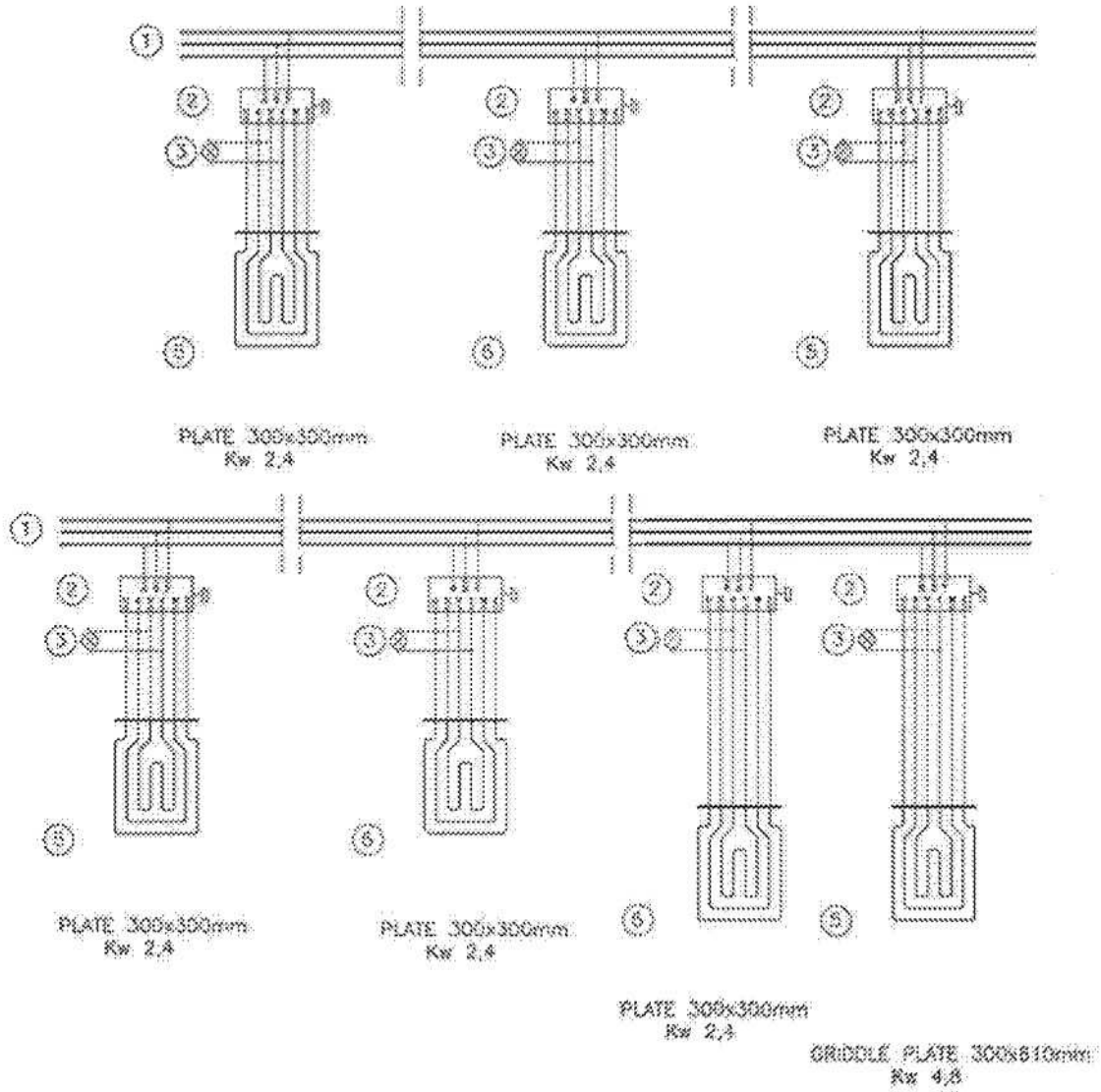


The galley range is controlled by a separate controlbox, to be mounted on the ships wall.

Adjustable legs (+30 mm)
All dimensions are in mm
Effect: See electrical diagram
PLOT OUT OF SCALE

ITEM:		DRAW.		AW		17.08.07	
Galley range		IPGRB444G0		-		-	
Schiffsherd		THIS DRAWING REMAINS THE PROPERTY OF WESCO Navy		REV.		-	
Tel.: +49 40 600 094 680		Fax.: +49 40 536 75 01		WESCO Navy		Hamburg	
E-mail: info@wesco-navy.de							

ELECTRIC WIRING DIAGRAM



- | | |
|-------------------------|------------------------|
| 1 ELECTRIC LINE | 6 CONTACTOR |
| 2 DELTA STAR SWITCH | 7 SWITCH |
| 3 PILOT LAMP | 8 OVEN HEATING ELEMENT |
| 4 JUNCTION BLOCK | 9 THERMOSTAT |
| 5 PLATE HEATING ELEMENT | |

TOP
Kw 2,4

BOTTOM THERMOSTAT
Kw 2,4 OVEN

OVEN
Kw 4,8 (2x2,4 Kw)