

Espresso machine  
ECBCM1C

Tel.: +49 40 600 094 680 E-Mail.: [info@wesco-navy.de](mailto:info@wesco-navy.de)

## Espresso machine ECBCM1C

-----  
Total capacity.....1,3 KW  
=====

### **Marine Execution**

Construction : Stainless steel.

Capacity : 2 cups

Boiler : 2 L/h.

Complete with :

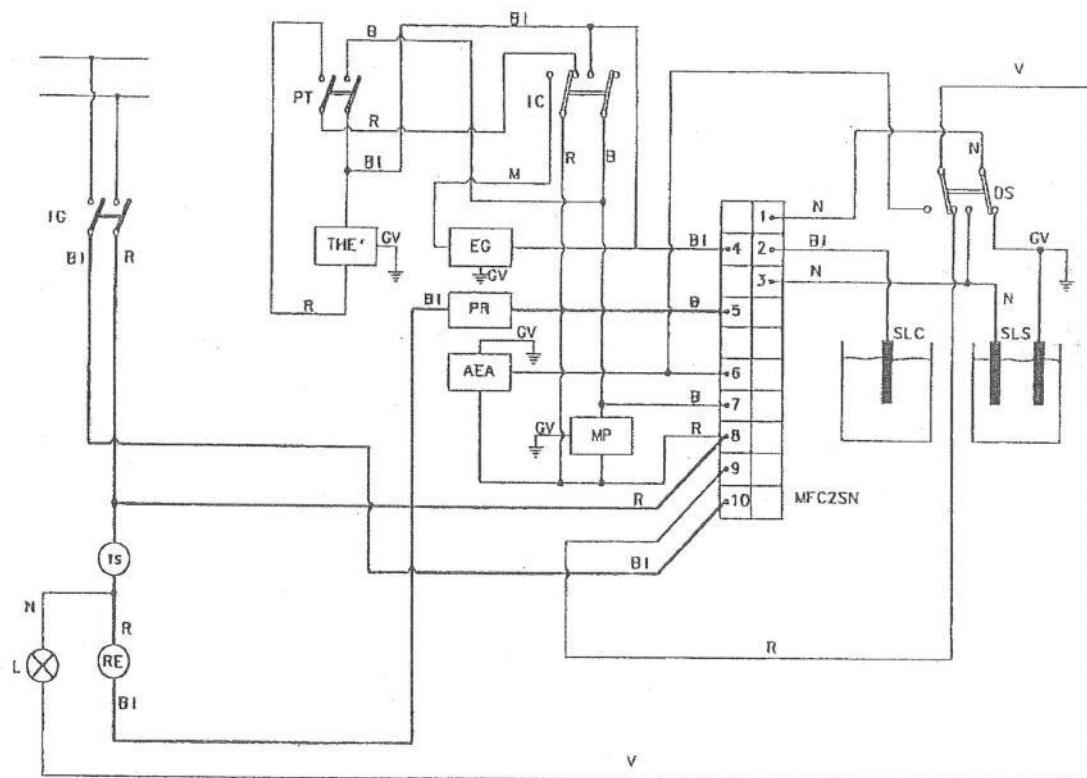
-Steam knob.

-Coffee supply switch

-Hot water supply push button.

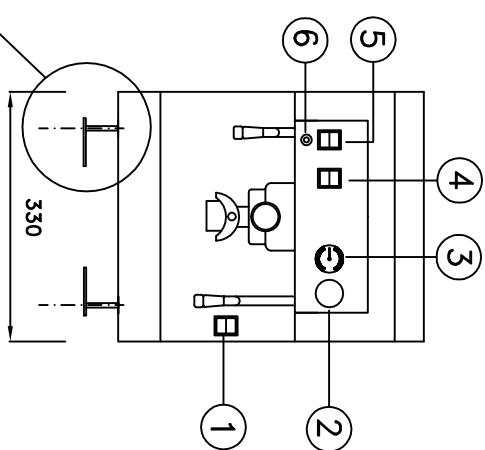
-Feet for fixing to table top.

### WIRING DIAGRAM

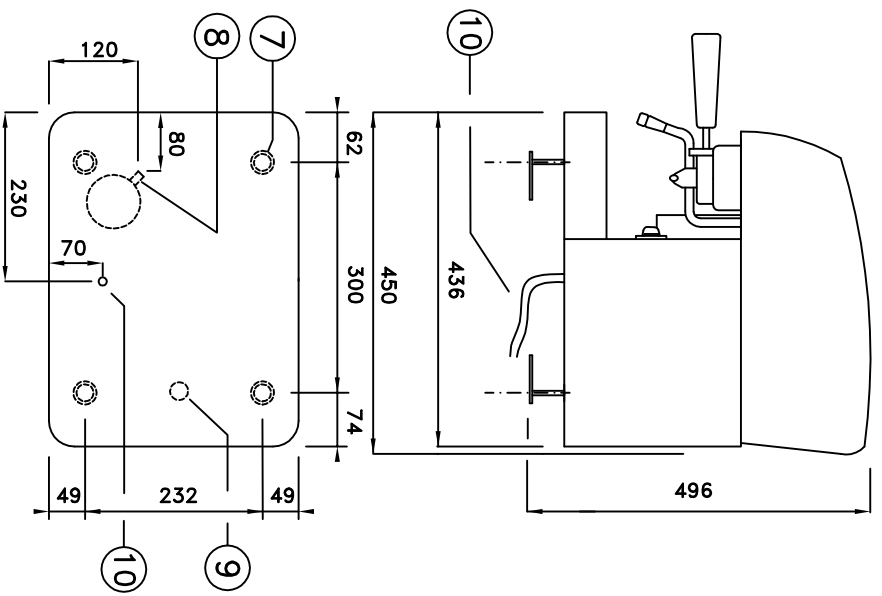
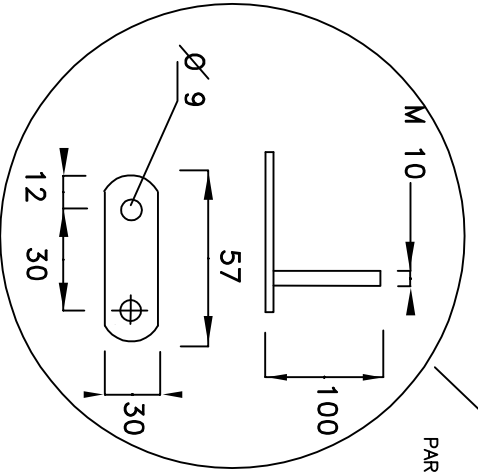


GV	yellow-green
V	green
B	blue
BI	white
M	brown
N	black
R	red
AEA	boiler filling solenoid valve
EG	group solenoid valve
THE	THE solenoid valve
IG	main switch
IC	delivery switch
DS	switch probes
PT	THE button
L	pilot lamp
MP	motor pump
PR	pressure
RE	heating element
SLC	boiler level probe
SLS	tank level probe
TS	safety thermostat

- 1 MAIN SWITCH
- 2 STREAM KNOB
- 3 PRESSURE CHECK GAUGE
- 4 COFFEE DELIVERY SWITCH
- 5 HOT WATER DISPENSING PUSH BUTTON
- 6 PILOT LAMP
- 7 FEET POSITION
- 8 DRAIN 3/8"
- 9 PREDISPOSITION WATER INLET
- 10 CABLE FOR ELECTRICAL SUPPLY



PARTICOLARE DI FISSAGGIO PIEDI  
FEET FIXING DETAIL



PLOT OUT OF SCALE All dimensions are in mm

Wir behalten uns vor, die technischen Spezifikationen im Interesse der Weiterentwicklung zu verändern.  
We reserve the right to modify the specifications if necessary.

ITEM:	Coffee-/Espressomachine Kafee-/Espressomaschine	ECBCM1C	THIS DRAWING REMAINS THE PROPERTY OF WESCO Navy	REV.	AW	25.11.15
				-	-	

Tel.: +49 40 600 094 680 Fax.: +49 40 536 75 01  
E-mail: Info@wesco-navy.de

WESCO Navy  
Hamburg