



Coffee machine / Kaffeemaschine
CB2x5

Tel.: +49 40 600 094 680 E-Mail.: info@wesco-navy.de

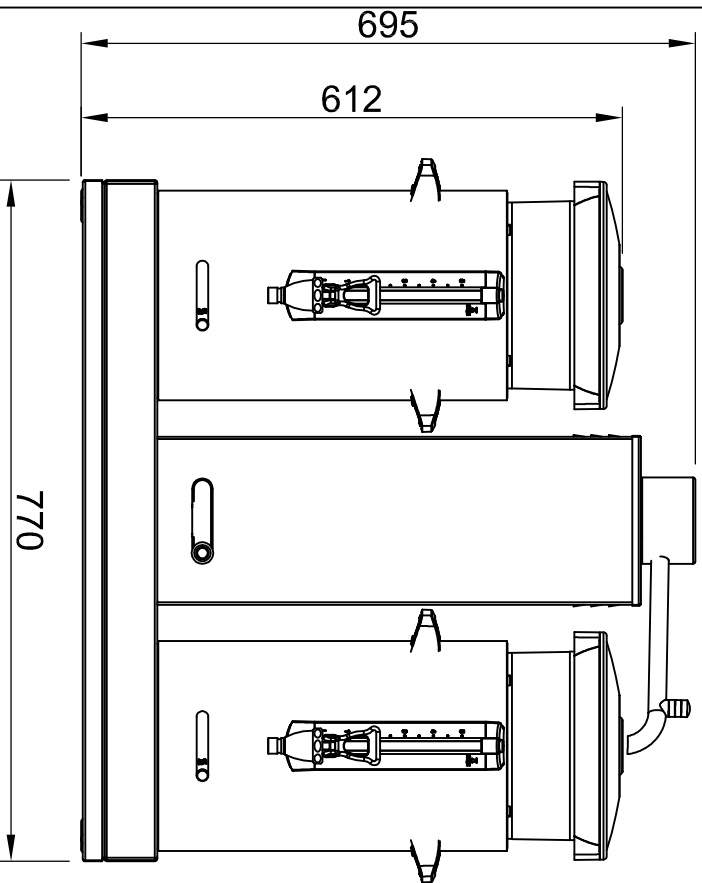
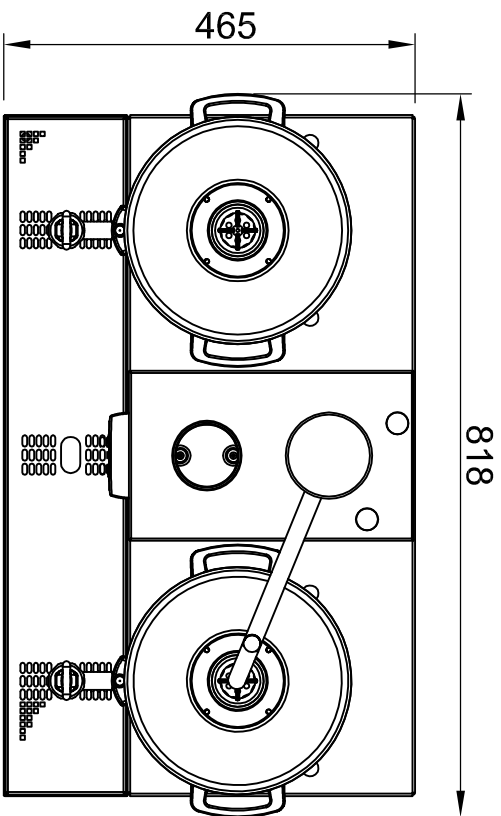
CB2x5

Total capacity.....3,2 KW
=====

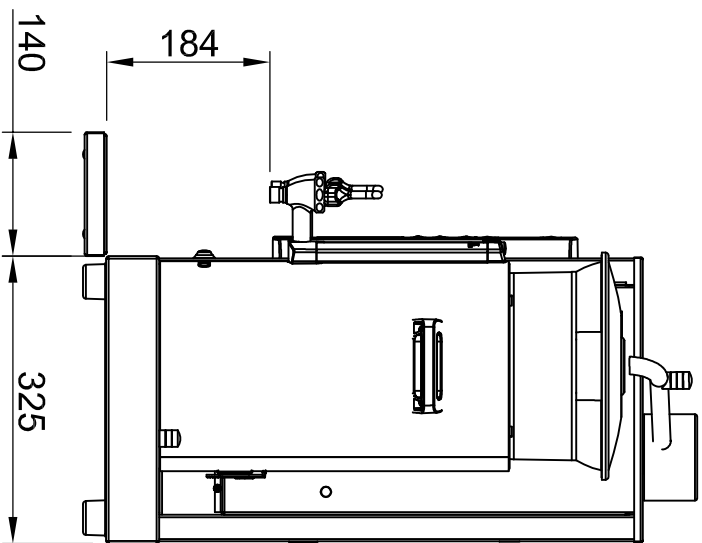
Marine Execution

Capacity Coffee/tea : 30 L/h.
Instant volume : 10 Ltr.
Storage temp. : ca. 80-85°C.

- Water inlet connection 3/4".
- Permanent filter.
- Coffeemachine with 2 containers each 5 ltrs.
- Construction of 18/9 stainless steel.
- Storm device for use on ships.
- Level gauge with non-drip cock.
- Preparation time of 10 Min./5 Ltr.
- complete and ready for use with:
Containers fastened to base plate.
Base plate with fastening bolts M8x60.
- CONSTRUCTION:
For the central coffee- and
Teasupply, consisting of two flow
through heaters in combination with
two stainless steel containers.
- SERVICE MINDED:
The machine is very easy to operate.
The operation display gives admission
to the control menus.
These menus are secured and only the
operators can use them with a PIN
number.

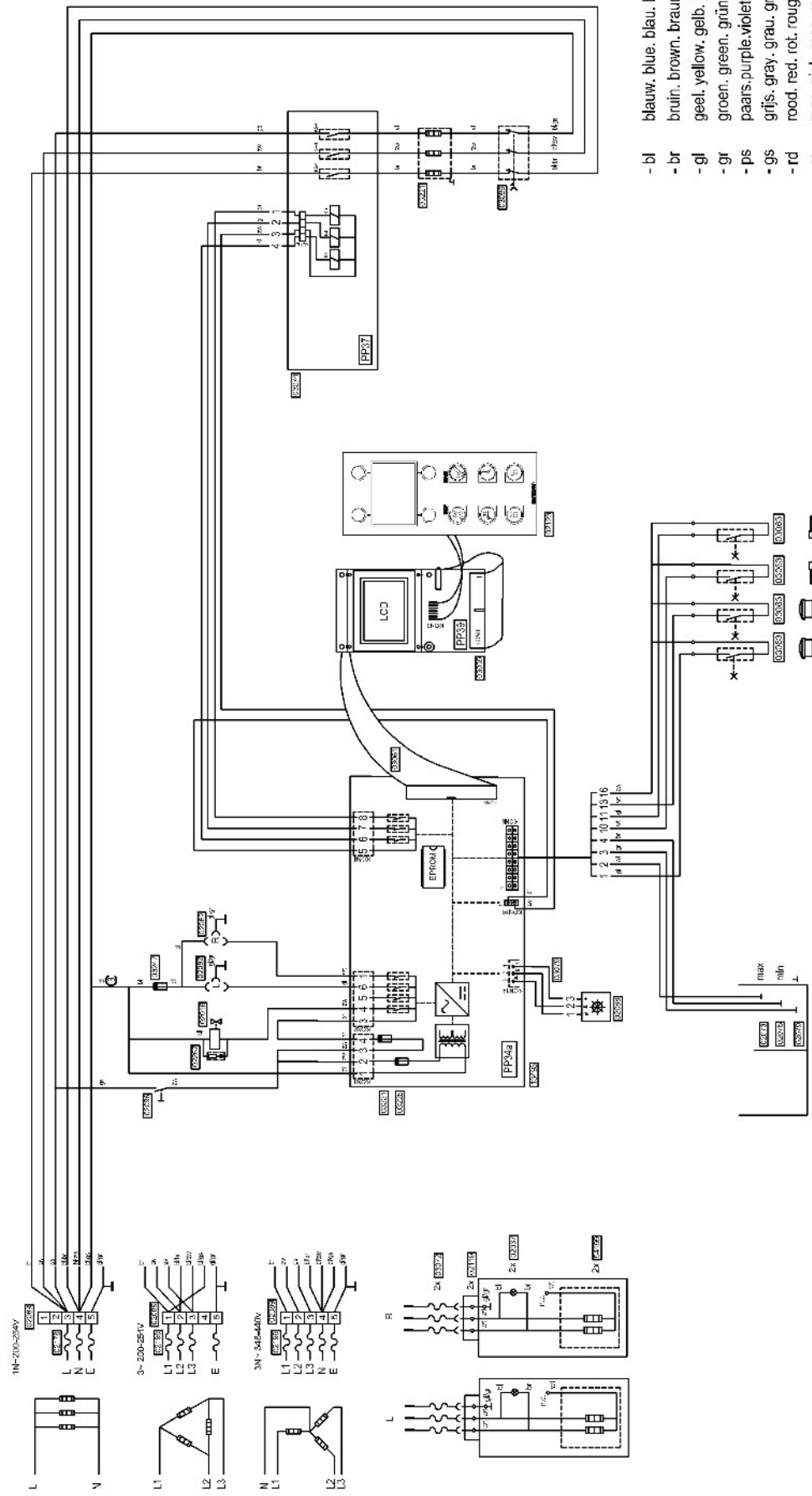


Wir behalten uns vor, die technischen Spezifikationen im Interesse der Weiterentwicklung zu verändern.
We reserve the right to modify the specifications if necessary.



PLOT OUT OF SCALE

ITEM:		DRAW.	
Kaffeemaschine		K0	13.05.08
Coffeemucker		REV.	-
CB2x5		THIS DRAWING REMAINS THE PROPERTY OF WESCO Navy	
Tel.: +49 40 600 094 680 Fax.: +49 40 536 75 01		WESCO Navy	
E-mail.: Info@wesco-navy.de		Hamburg	



[01234] = SPARE PART - SPARE PARTS INFO

- bl blauw. blue. bleu.
- br bruin. brown. brun.
- gl geel. yellow. gelb. jaune.
- gr groen. green. grün. vert.
- ps paars. purple. violet.
- gs grijs. gray. grau. gris.
- rd rood. red. rouge.
- rs roze. pink. rosa. rose.
- wt wit. white. weiß. blanc.
- zw zwart. black. Schwarz. noir

Drawer : J.S.
 Date : 07-11-03
 Checked : 
 Drawing nr. : S10600

From mach.nr. : 1O03828
 Date : 02/05
 Page : 1/1
 Rev. : 2 16-12-05

CIRCUIT DIAGRAM

Type : CB 2X5
 Artikel : 10600
 Rated voltage : 1N~ 220-240V 50-60Hz 3200W