



*Picture is showing a compartment oven with 2 ovens and 1 proving cabinet*

Compartment oven / Backofen

BOB3

Tel.: +49 40 600 094 680 E-Mail.: [info@wesco-navy.de](mailto:info@wesco-navy.de)

## **Baking oven BOB3**

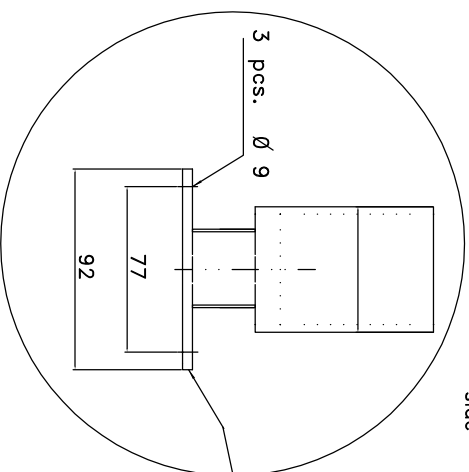
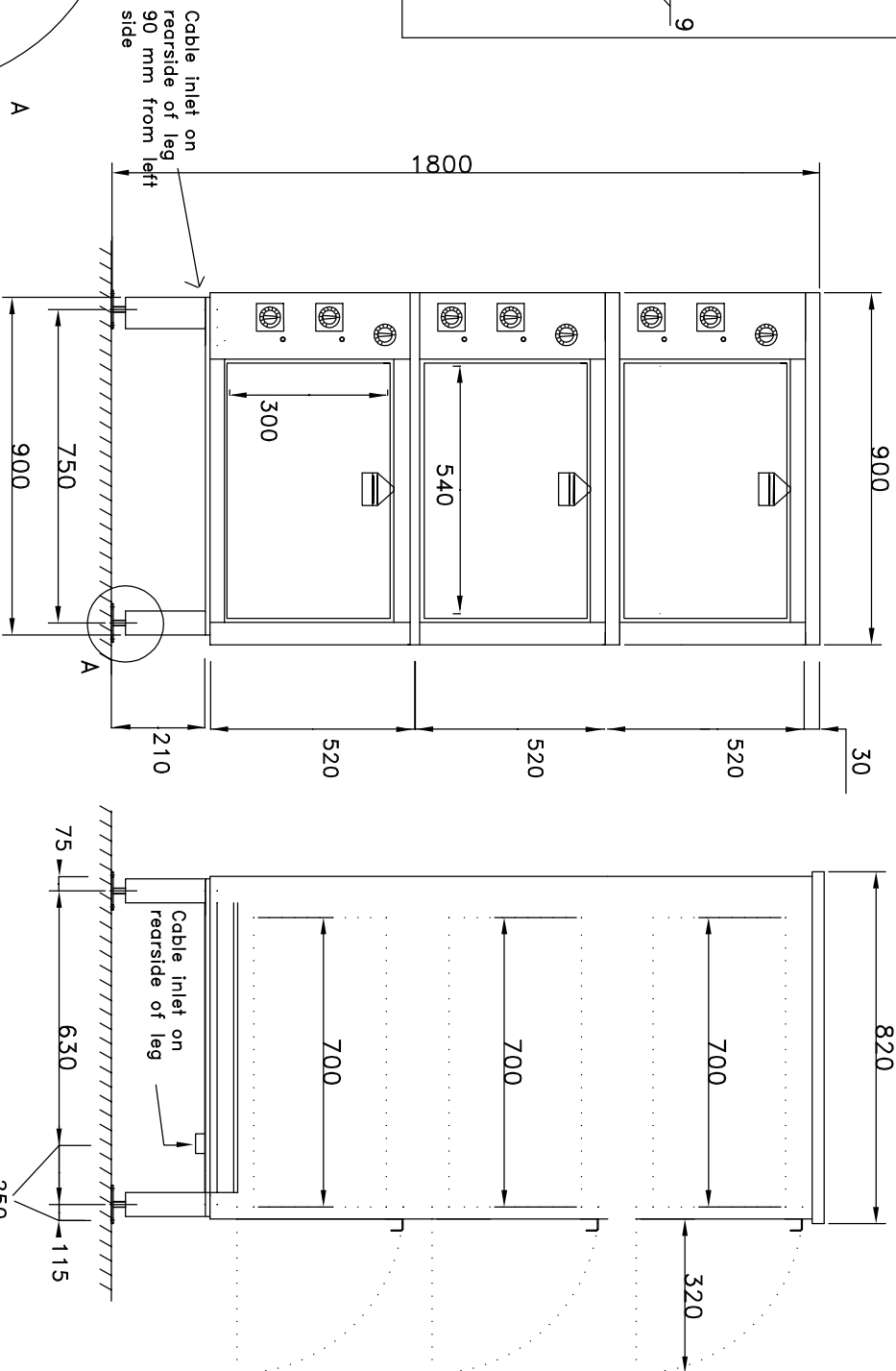
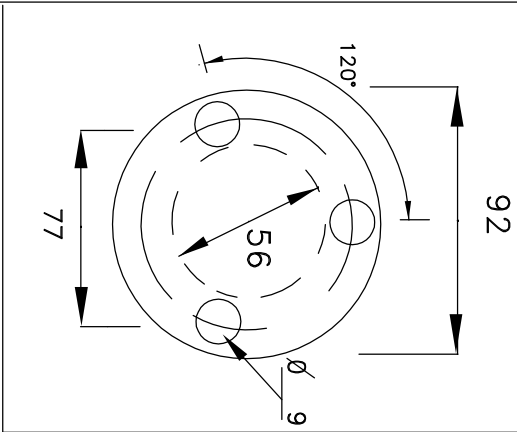
3- Baking oven.. 540x700x300mm each..4,8 KW

-----  
Total capacity.....14,4 KW  
=====

### **Marine Execution**

- Baking oven with stand.  
3-Baking room, 540x700x300mm. GN 2/1.
- Door, front, top, sides of stainless steel.
- Double walled door.
- Inside lining of stainless steel.
- Switches, thermostats, lamps are built in.
- The Oven can be mounted against the wall.
- Upper and lower heating are regulates independently by two switches and one thermostat.
- Included in our delivery:  
1-Grid.
- Complete and ready for use.

Footdesign from below



Cable inlet on rear side of leg 90 mm from left side

A

Adjustable legs (+30 mm)

All dimensions are in mm

Effect: See electrical diagram

PLOT OUT OF SCALE

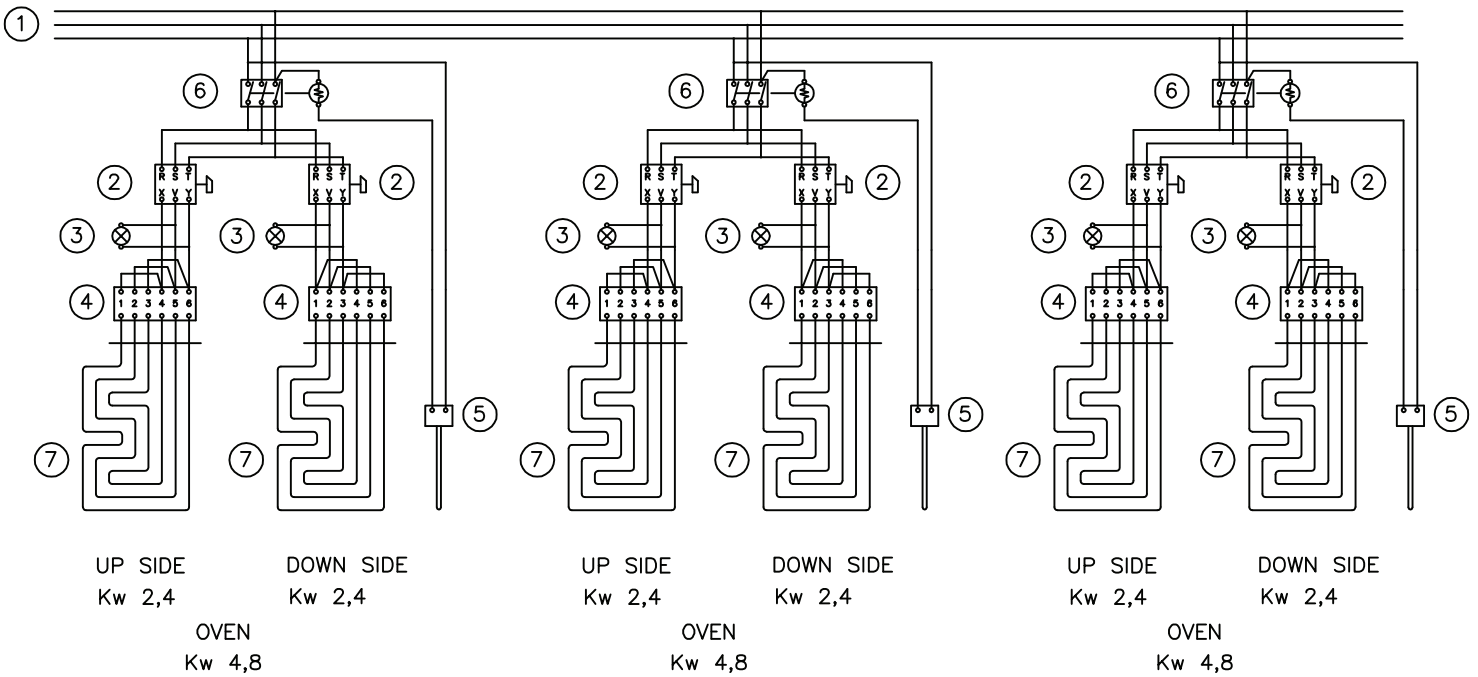
Wir behalten uns vor, die technischen Spezifikationen im Interesse der Weiterentwicklung zu verändern. We reserve the right to modify the specifications if necessary.

ITEM:	Compartment oven	BOB 3	THIS DRAWING REMAINS THE PROPERTY OF WESCO Navy	DRAW.:	AW	02.03.06
	Etagenbackofen			REV.:	-	-

Tel.: +49 40 600 094 680 Fax.: +49 40 536 75 01  
 E-mail.: Info@wesco-navy.de  
 WESCO Navy  
 Hamburg

# ELECTRIC WIRING DIAGRAM

BOB3



1 ELECTRIC LINE

2 SWITCH 901172020

3 PILOT LAMP 901172030 V115-V230  
901172040 V400-V415-V440  
901172060 V480

4 JUNCTION BLOCK 955050150

5 OVEN THERMOSTAT 933100001

6 CONTACTOR 901172430 V115-V230  
901172450 V400-V415-V440-V480

7 OVEN HEATING ELEMENT 901177400 V115  
901177420 V230  
901177430 V400  
901177460 V415  
901177490 V440  
901177510 V480

A RATED VOLTAGE VOLT 115/3/60  
230/3/50-60  
400/3/50  
415/3/50-60  
440/3/60  
480/3/60